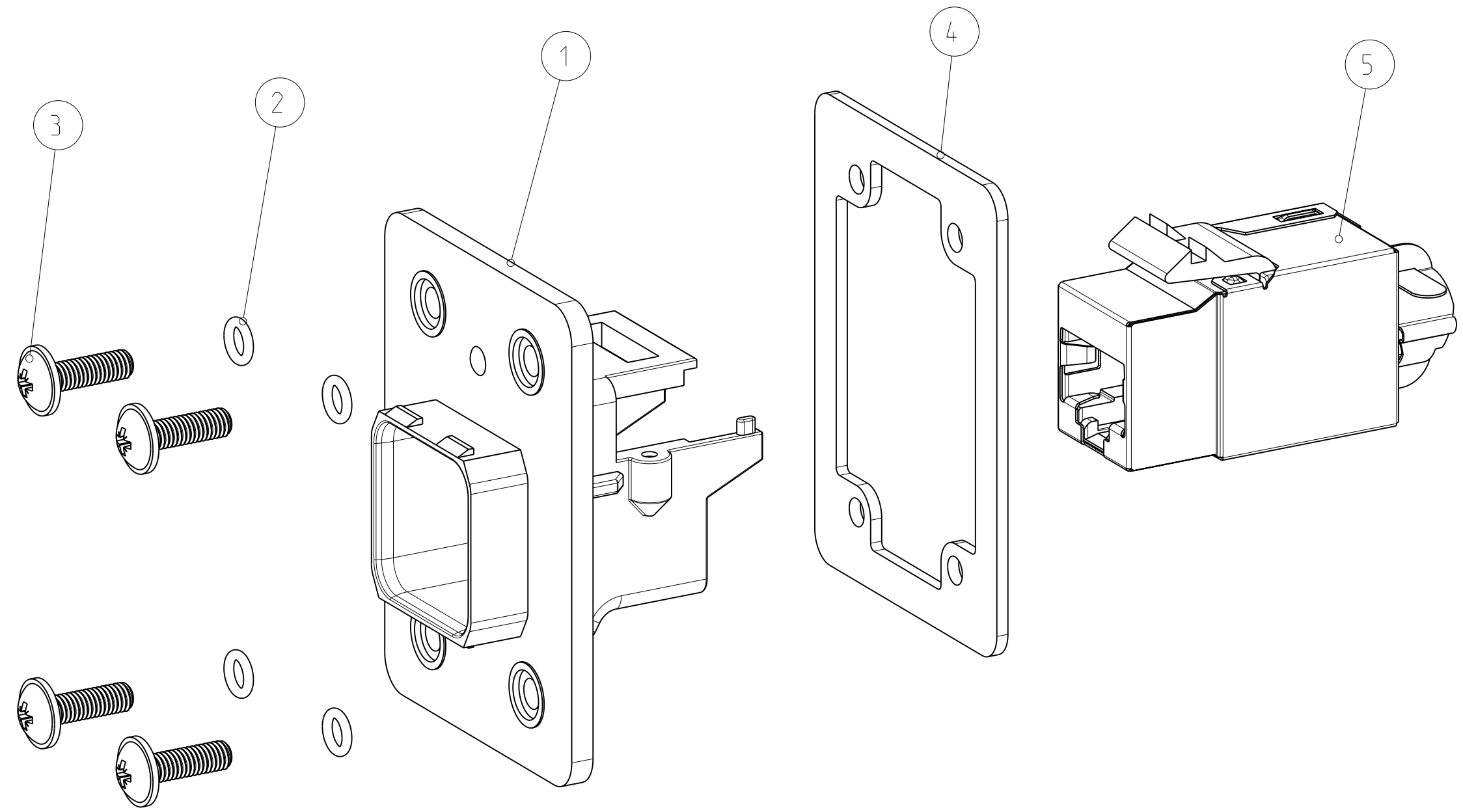


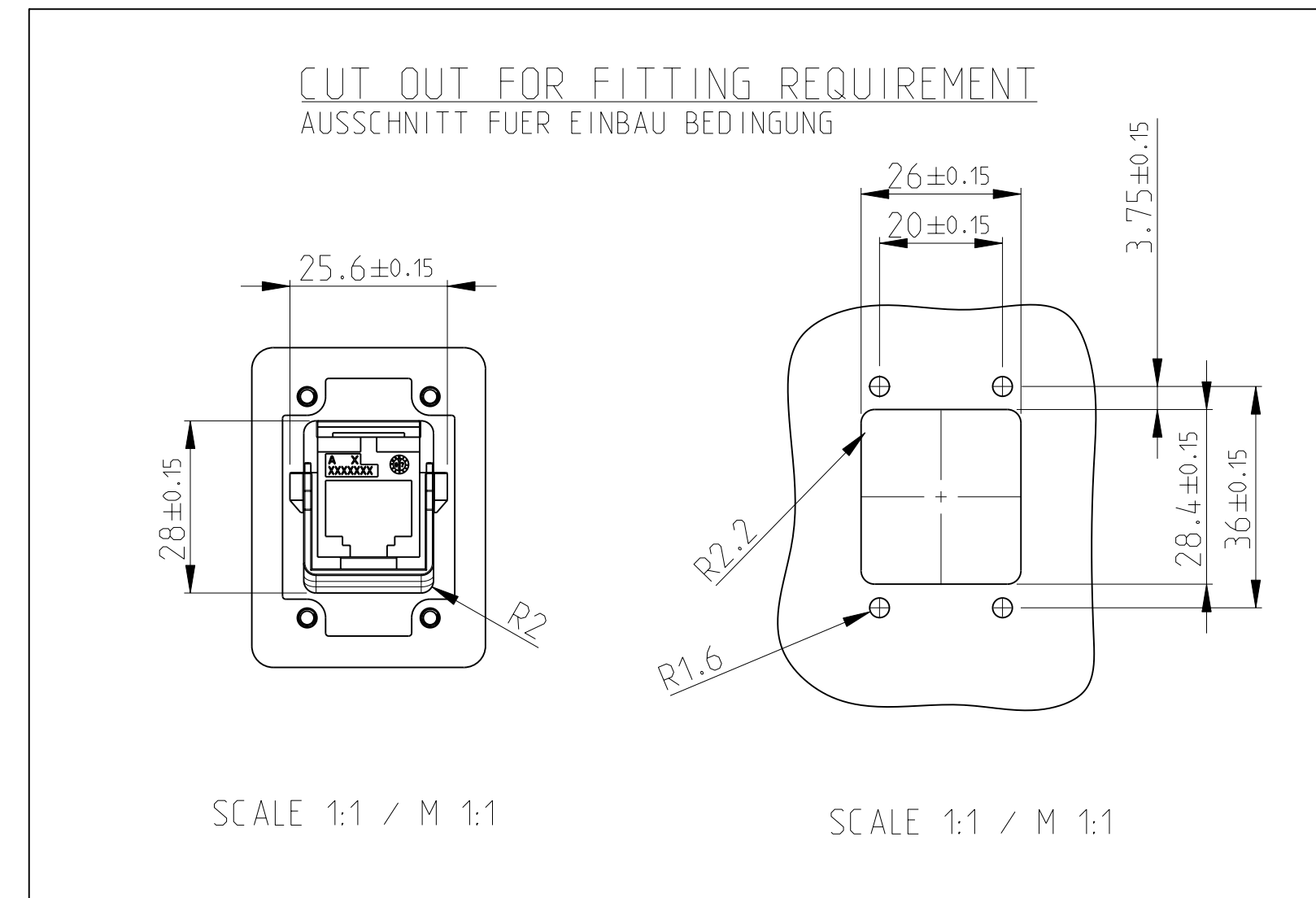
THIS DRAWING IS UNPUBLISHED. RELEASED FOR PUBLICATION 2008
 © COPYRIGHT 2008 BY TYCO ELECTRONICS CORPORATION. ALL RIGHTS RESERVED.

LOC	DIST	REVISIONS			
P	LTR	DESCRIPTION	DATE	DWN	APVD
A1		NEW DRAWING PUBLISHED	21NOV2008	N.T.	R.K.
A2		ECR-08-030470	08DEC2008	N.T.	R.K.
A3		ECR-09-012142	28MAY2009	N.T.	T.K.



SINGLE PACKING: PLASTIC BAG (MINI GRIP) WITH MANUAL.
 MULTI PACKING: 50 PIECE ITEM NO. 1 IN CORD TENSIONING BAG+
 200 PIECE ITEM NO. 2 IN PLASTIC BAG (MINI GRIP) +
 200 PIECE ITEM NO. 3 PLASTIC BAG (MINI GRIP) +
 50 PIECE ITEM NO. 4 PLASTIC BAG (MINI GRIP) +
 50 PIECE ITEM NO. 5 FOLDING BOX +
 PACKED IN CORRUGATED SHIPPING BOX WITH MANUAL.

EINZELVERPACKUNG: KUNSTSTOFFBEUTEL (MINI GRIP) MIT ANLEITUNG.
 MEHRFACHVERPACKUNG: 50 STUECK POS. 1 IN KORDELZUG BEUTEL +
 200 STUECK POS. 2 IN KUNSTSTOFFBEUTEL (MINI GRIP) +
 200 STUECK POS. 3 IN KUNSTSTOFFBEUTEL (MINI GRIP) +
 50 STUECK POS. 4 IN KUNSTSTOFFBEUTEL (MINI GRIP) +
 50 STUECK POS. 5 IN FALTSCHACHTEL +
 VERPACKT IN VERSANDKARTON MIT ANLEITUNG.



QTY REQD PER ASSY	REV	QTY	REV	QTY	REV	DESCRIPTION	ITEM NO
-	-	1	1	-	-	MANUAL	6
-	-	50	1	-	-	ASSEMBLY SL 110 JACK, SHIELD, CAT 5e	5
-	-	50	1	-	-	FLAT GASKET FOR IP67 PUSH-PULL FRAME	4
-	-	200	4	-	-	ROUND HEAD SCREW Mx3	3
-	-	200	4	-	-	O-RING SEAL FOR IP67 PUSH-PULL FRAME	2
-	-	50	1	-	-	FRAME, PUSH-PULL, IP67	1
-	-	-2	-1	DWG. SIZE	PARTNUMBER	DESCRIPTION	ITEM NO
-	-	-	-	←	REVISION OF EACH ASSY NO. (WHEN BLANK, USE DWG. REVISION)		

THIS DRAWING IS A CONTROLLED DOCUMENT FOR TYCO ELECTRONICS CORPORATION IT IS SUBJECT TO CHANGE AND THE CONTROLLING ENGINEERING ORGANIZATION SHOULD BE CONTACTED FOR THE LATEST REVISION.		DWN 21NOV2008 N.Thirunavukkarasu CHK W.BOECK 21NOV2008 APVD R.KRAEMER 21NOV2008	Tyco Electronics Tyco Electronics AMP GmbH 64625 Bensheim (Germany)
DIMENSIONS: mm 	TOLERANCES UNLESS OTHERWISE SPECIFIED: 0 PLC ±- 1 PLC ±- 2 PLC ±- 3 PLC ±- 4 PLC ±- ANGLES ±1° FINISH	PRODUCT SPEC 108-94207 APPLICATION SPEC - WEIGHT - CUSTOMER DRAWING	NAME ASSY, IP65/67 CAT5 PUSH-PULL FRAME ASSY, IP65/67 CAT5 PUSH-PULL RAHMEN SIZE A2 CAGE CODE 00779 DRAWING NO 1987674 RESTRICTED TO - SCALE 2:1 SHEET 1 OF 1 REV A3